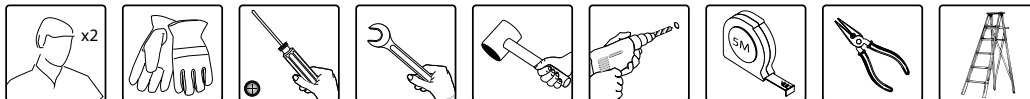
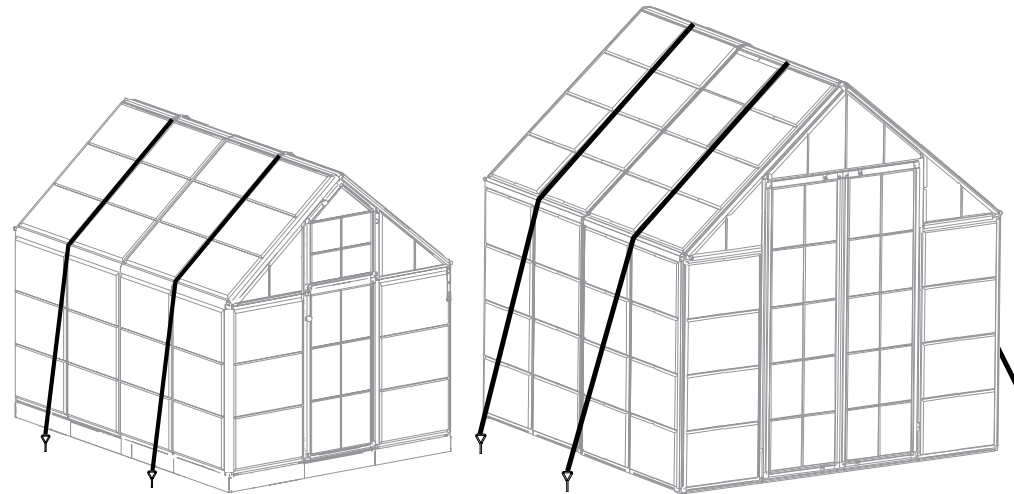


Snap&Grow - Anchoring Kit





WE ARE HERE TO HELP

Contact us on our website :



SCAN ME

Customer Support

bit.ly/3kY07dP



SCAN ME

Parts Request

bit.ly/3js7yZi



SCAN ME

Assembly Assistance

bit.ly/3kqqFEc

ARGENTINA · GREECE · GREENLAND · ICELAND · ESTONIA · JAPAN · LATVIA · LITHUANIA · MAURITIUS · MEXICO · ROMANIA · RUSSIA · TURKEY · UZBEKISTAN · UKRAINE · SWAZILAND · KOREA

+972-4-848-6816

customer.service@palram.com

ISRAEL

04-848-6816

info.il@palram.co.il

GERMANY

0180-522-8778

customer.serviceDE@palram.com

ITALY · NETHERLANDS · PORTUGAL · SPAIN

+972-4-848-6816

customer.service@palram.com

FRANCE · BELGIUM

+33-169-791-094

customer.serviceFR@palram.com

AUSTRIA · LUXEMBURG · LIECHTENSTEIN

+49-180-522-8778

customer.serviceDE@palram.com

USA

877-627-8476

hobbyservice@poly-tex.com

IRELAND · UNITED KINGDOM

01302-380775

customer.serviceUK@palram.com

NORWAY · SWEDEN

+972-4-848-6816

customer.service@palram.com

CANADA

905-5646007

sales@footprintproducts.com

WE ARE HERE TO HELP
Contact us on our website :



Customer Support

bit.ly/3kY07dP



Parts Request


bit.ly/3js7yZi



Assembly Assistance


bit.ly/3kqqFEc

AUSTRALIA

 03-9219-4444


 salesvic@palram.com


AUSTRALIA - GREENHOUSES

 03-9544-6-999


 info@mazedistribution.com.au


NEW ZEALAND

 0800 800 880


 customer.service@palram.com

SOUTH AFRICA

 011-397-7771


 receptionza@palram.com


SWITZERLAND

 062-287-33-77


 info@ritter.ch


DENMARK

 07-575 42 70


 post@nshnordic.com


CZECH REPUBLIC

 0493-523-523

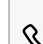
 servis@garland.cz


FINLAND

 Neuvonta: 09-6866720
Tuki / Varaosat: 050-3715350


 www.horizontenterprises.fi
tuki@horizontenterprises.fi


POLAND

 Infolinia: 801-011-929
22-349-93-36


 kontakt@ogrodosfera.pl


CYPRUS

 0224-971-13


 alpaco@alpacodomica.com
www.alpacodomica.com


HUNGARY · SLOVAKIA

 +420-493-523-523

 servis@garland.cz

CROATIA · SLOVENIA

 0599-37-057

 info@ms-viscom.com

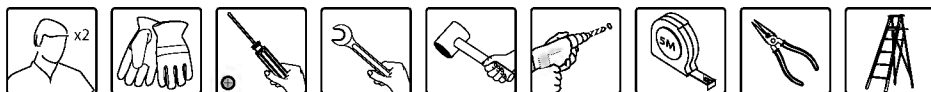
Before you start

- ✓ It is highly recommended to be assisted by a second person in some steps.
- ✓ Sort the parts and check according to the contents parts list.
- ✓ The product must be positioned and fixed on a leveled surface.
- ✓ Make sure that screws and anchors suit the surface type.
- ✓ This product is suitable for all Snap&Grow greenhouses up to 8 feet long.
- ✓ Please be safe during assembly.

You will need

To assembly this product

(these items not supplied)



Safety

- ✓ This product should be mounted to the ground as shown in these instructions in order to ensure greenhouse's stability and appropriate wind resistance.
- ✓ Some parts may have sharp edges. Please be careful when handling components.
- ✓ Always wear gloves, eye protection, and long sleeves when assembling or performing any maintenance on your product.
- ✓ If using a stepladder or power tools please ensure that you follow the manufacturer's safety advice.
- ✓ DO not lean the stepladder against the greenhouse.
- ✓ Do not stand on the greenhouse roof/panels
- ✓ To prevent injuries, do not allow children to play under the greenhouse during assembly.



Please read these instructions carefully before you start to assemble this product.
Please carry out the steps in the order set out in these instructions.
Keep these instructions in a safe place for future reference.

Care and Maintenance

- 1 Periodically check the product to assure that it remains stable.
- 2 Keep roof clean of snow.

During Assembly



During assembly you will encounter the information icon, please refer to the relevant assembly step for additional comments and assistance.

Do not cut the steel cable unless a final decision on the mounting location has been made.

Step 3 : According to the ground surface type, follow the appropriate mounting procedure.

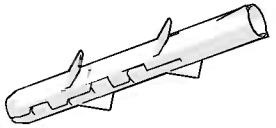
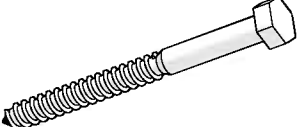
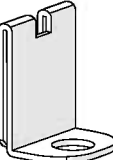
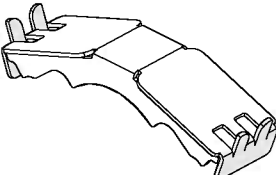
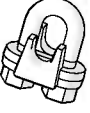
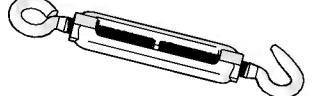
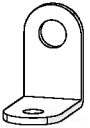
Option 1 : for hard surfaces (concrete or wood)


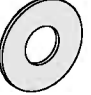
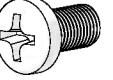

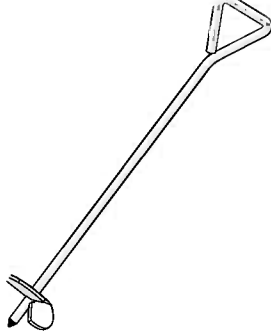
Option 2 : soft/ground installation.

Step 5 : After the product has been installed, fasten the steel cable by turning part #7332

Tighten all screws when completing assembly.

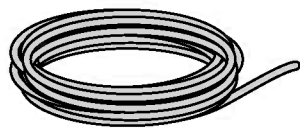
Contents

Item		Qty.
4010		4 (+1)
4000		4 (+1)
7409		4
7410		2
7333		4
7332		2
7331		4

Item		Qty.
414		2 (+1)
433		6 (+1)
7283		2 (+1)
7327		2
7336		4

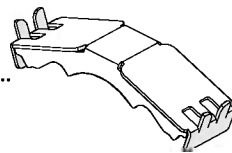
1

7327.....

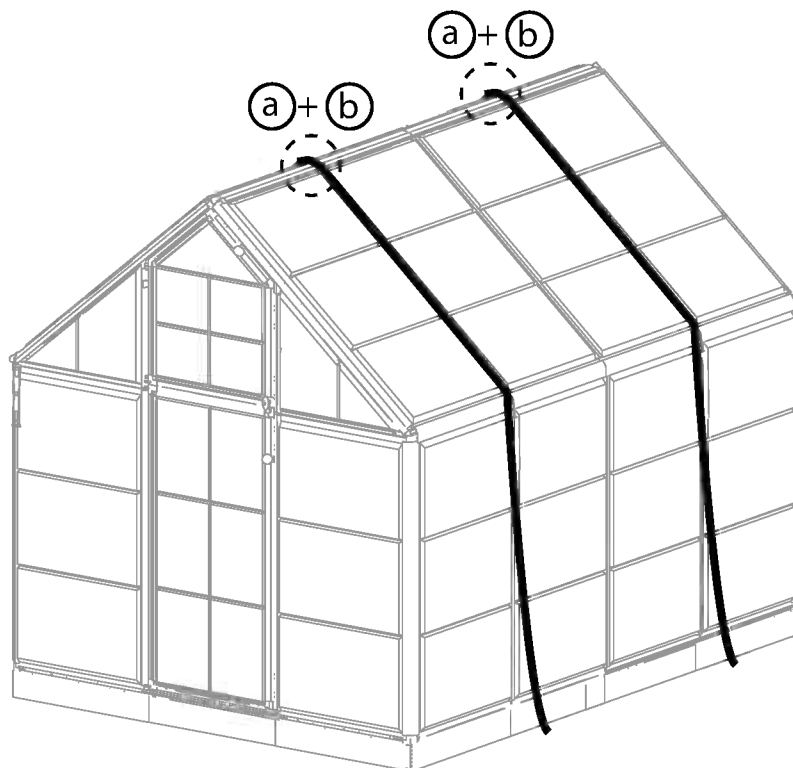


..... 2

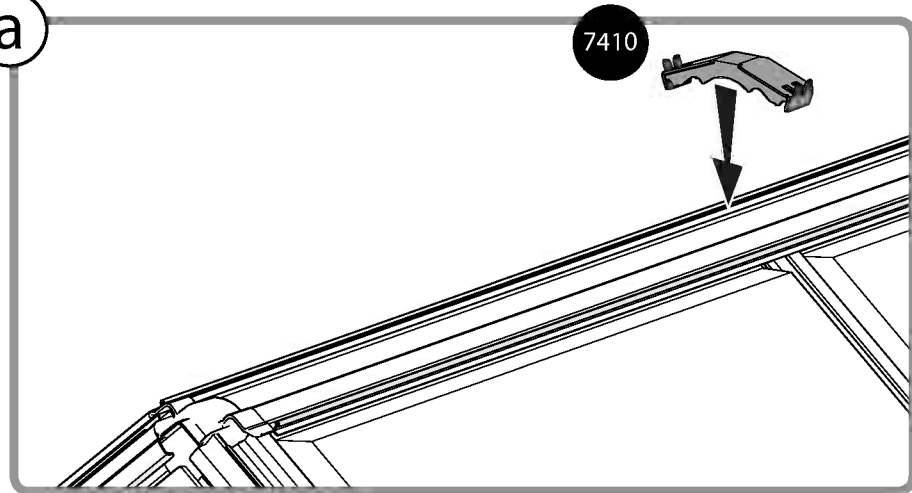
7410.....



..... 2

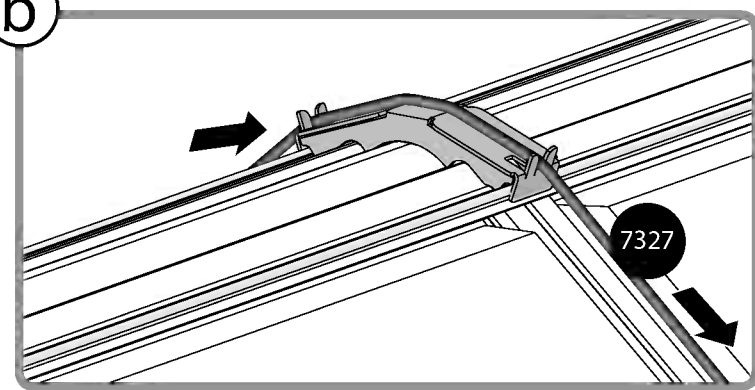


a

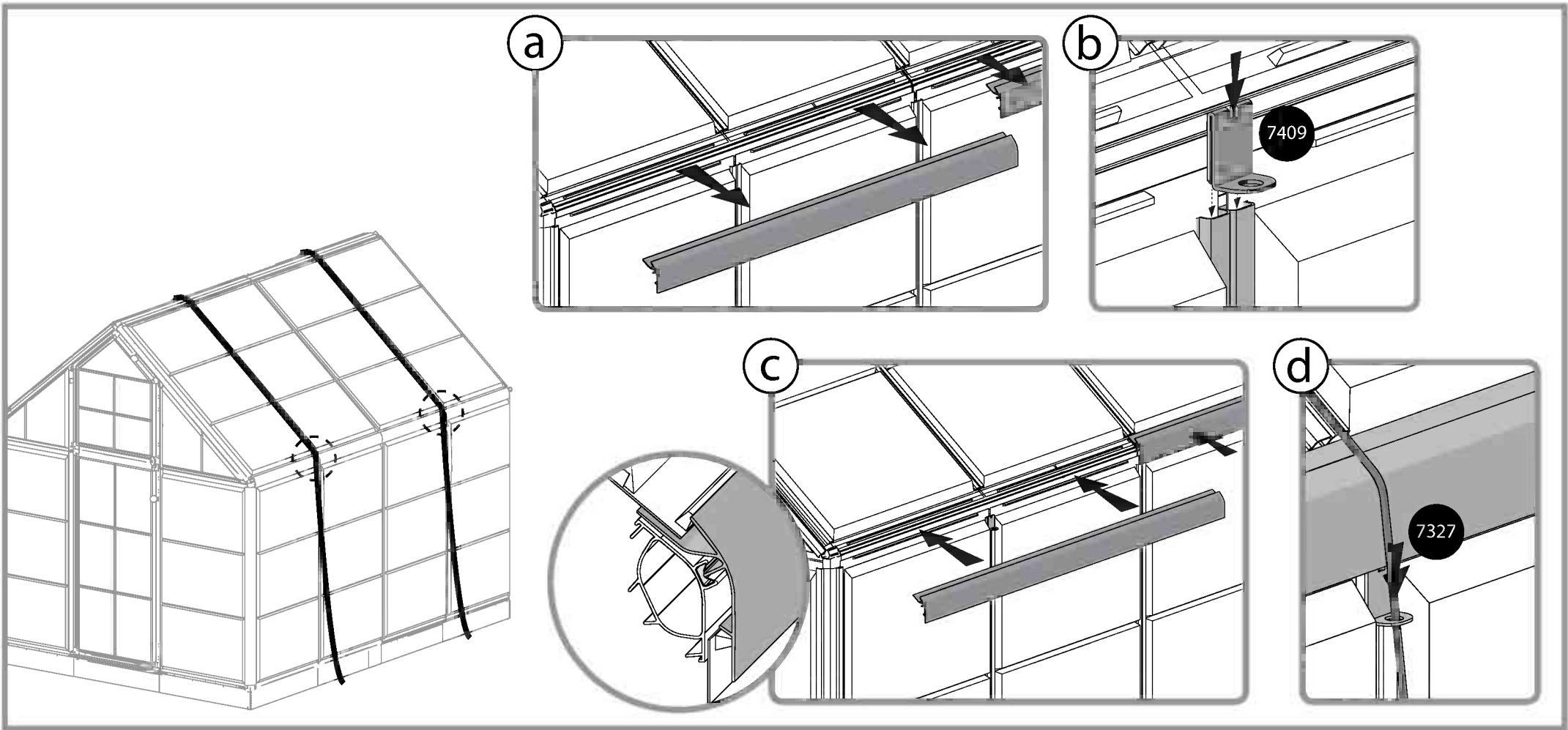
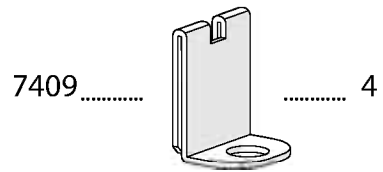


7410

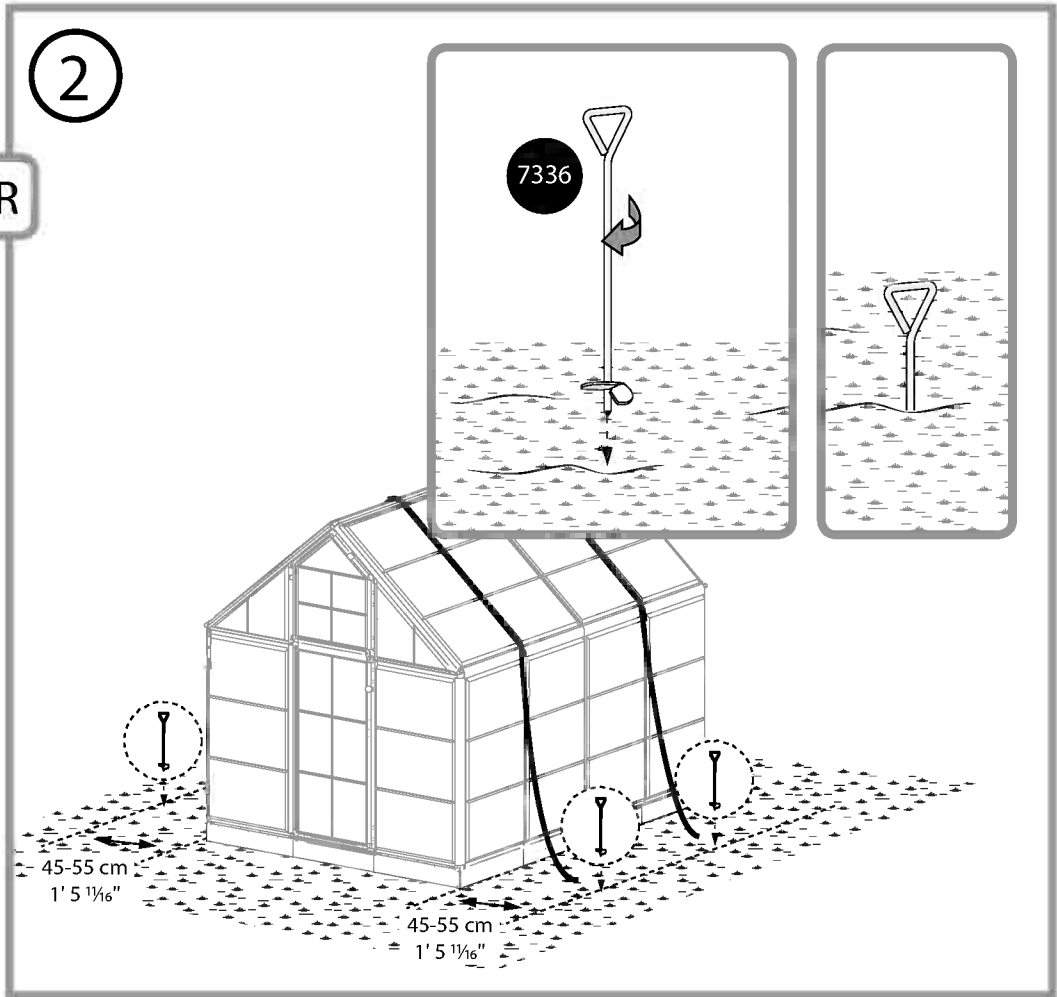
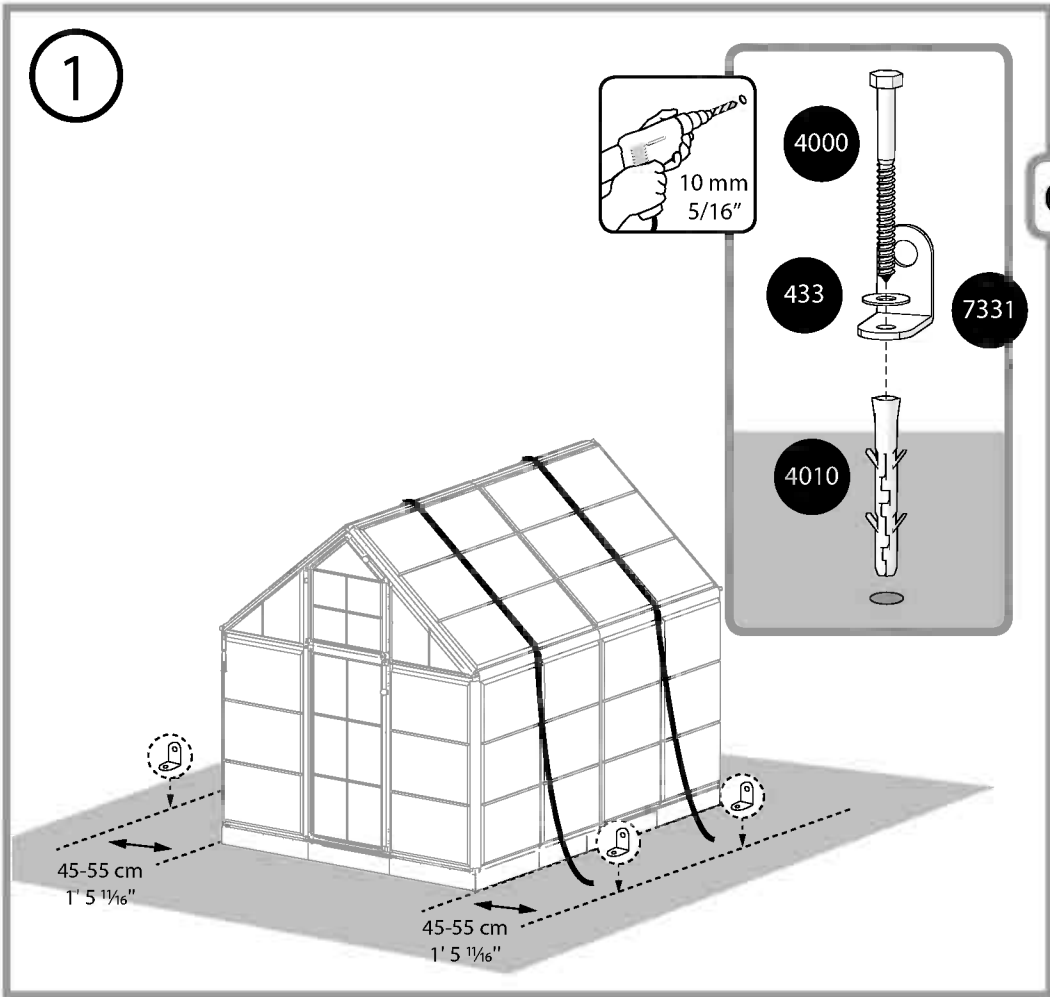
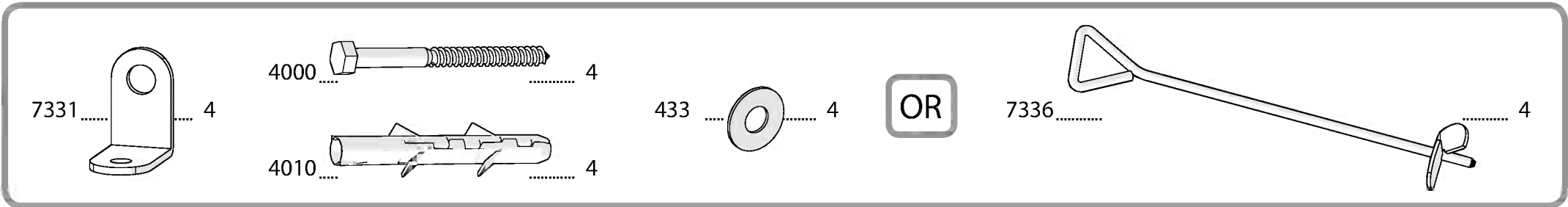
b



7327

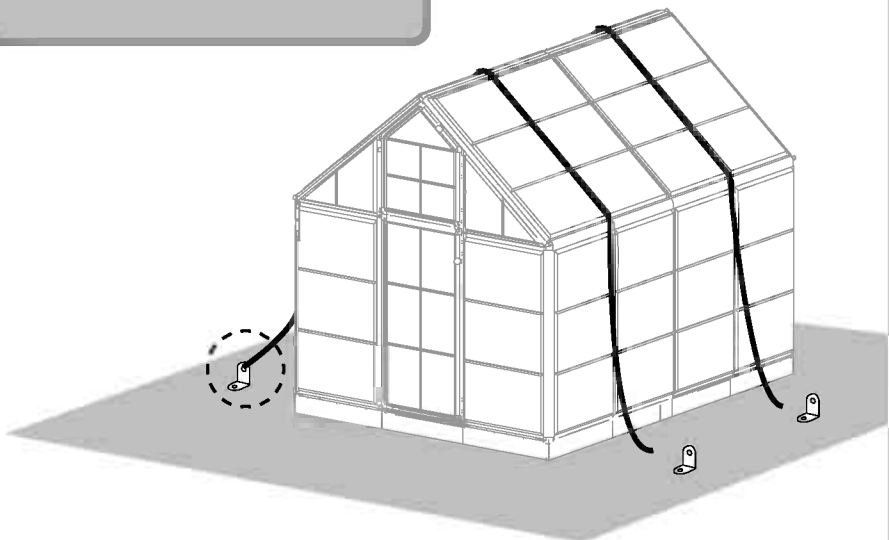
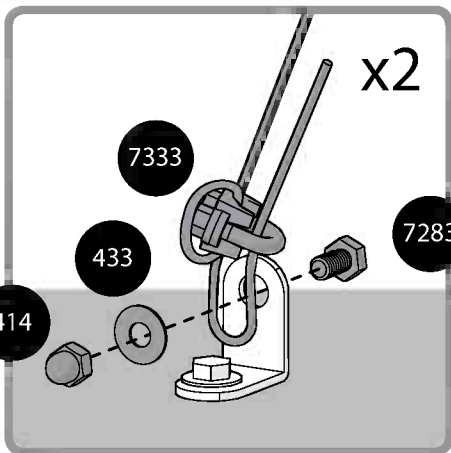


3 **i**



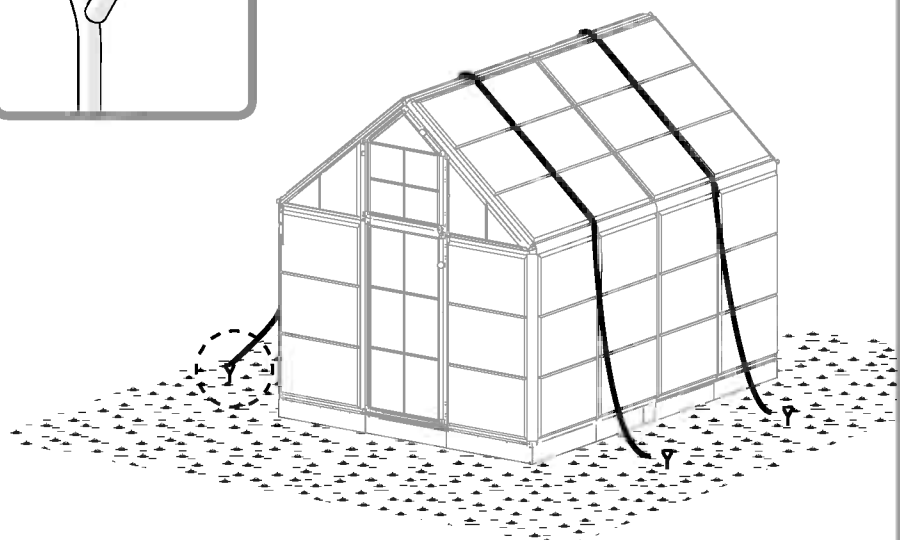
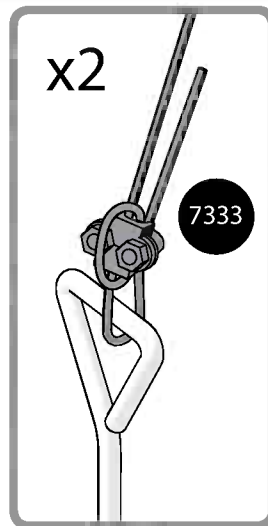
- 7333..... 2 7283..... 2 414 2 433 2

1

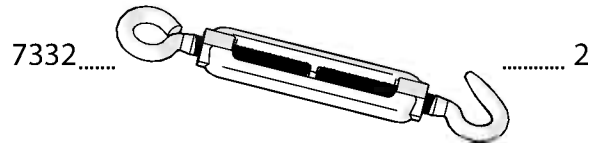
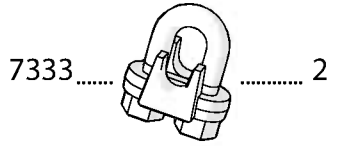


2

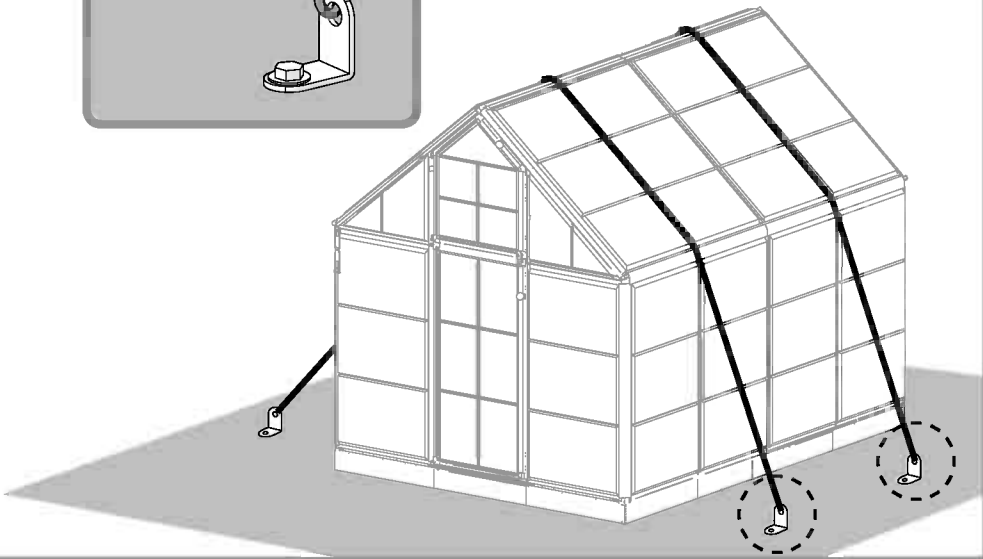
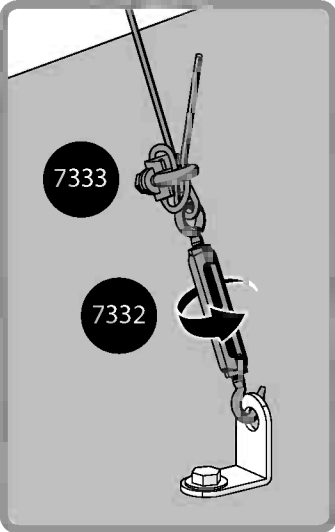
OR



5 **i**



1



2

OR

